

Overture Letterplate

Stainless steel door fittings

Suitable for:

PVCu



TIMBER



or composite doors

The Overture letter plate is manufactured in SS304 stainless steel making it perfect for tough environments and adds elegance to any modern door.

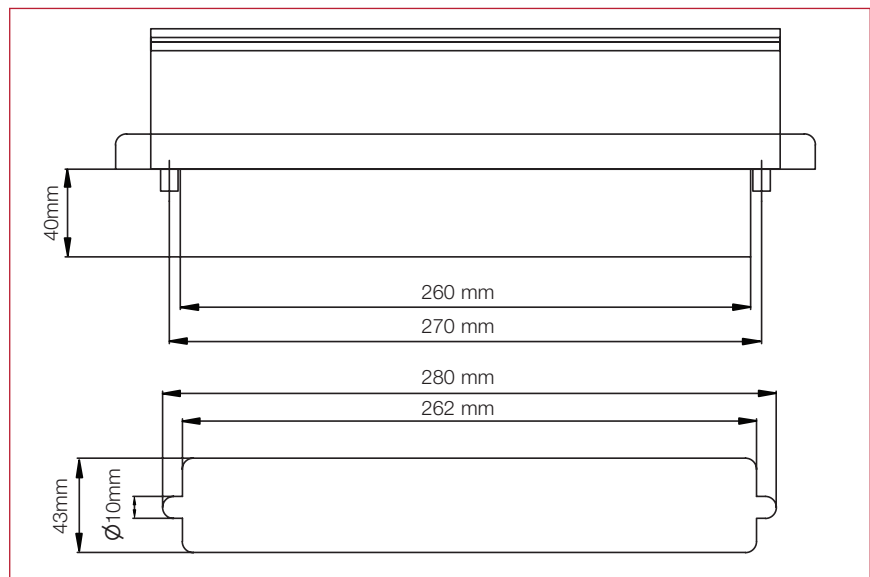
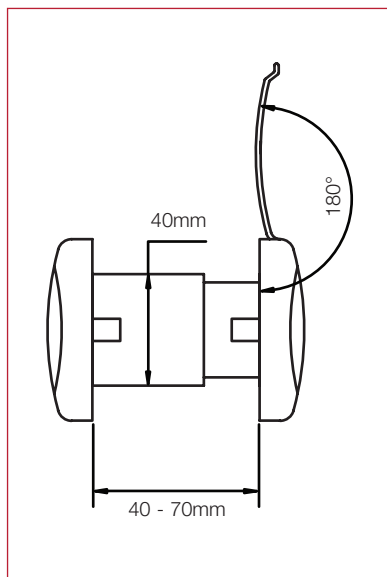
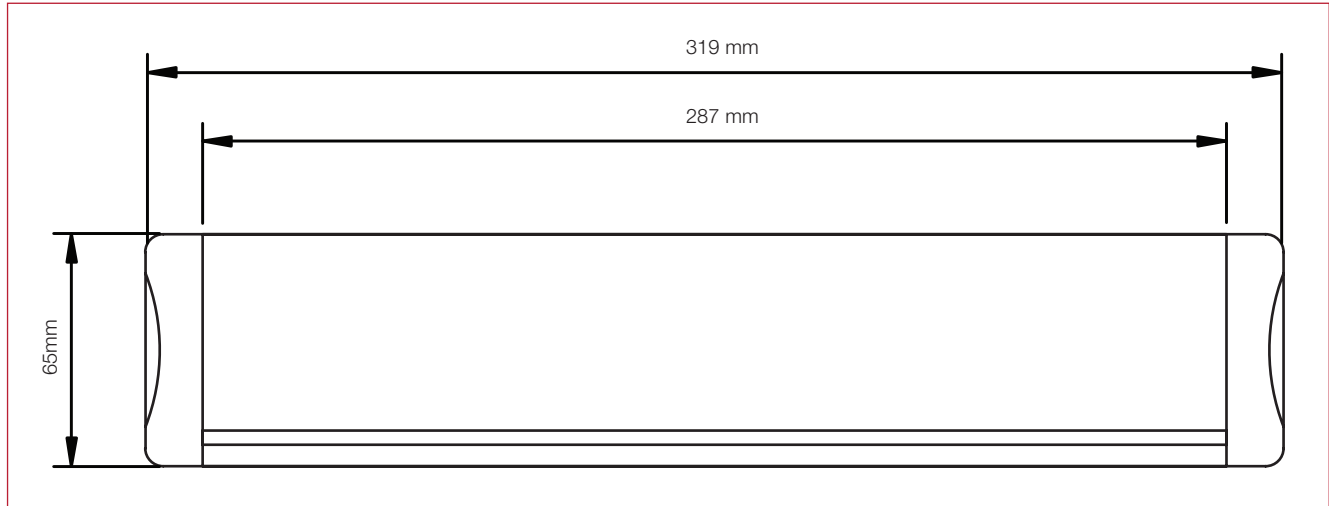
It combines strong aesthetic appeal with long service life and high functionality.

Features and Benefits

- All finishes tested in excess of 480 hours salt spray testing - Grade 5 BS EN 1670
- Exceeds 1000 hours salt spray testing with no effect on function and no corrosion to the visible substrate
- Cycle tested to 50,000 cycles
- SS304 flap and ends (Int/ext)
- External flap opens up to 180 degrees
- Fully sprung loaded
- 40/70 depth sleeves options
- Available in polished and brushed stainless steel finishes
- Contains external weatherseal and internal draught seal
- All supplied with 2 fixing screws
- Suits perfectly with other Overture stainless steel door hardware
- Internal nylon brush seal to reduce air filtration



Product	Product Code
	Stainless Steel - 304
Overture Stainless Steel Letter Plate	TN8210



Manufactured from

Full SS304 Ext & Int

Standards

BS EN 1670 Grade 5 (480 hours)
Cycle tested to 50,000 cycles

Finishes

Suffix product code with: -073 (Polished stainless steel),
-547 (Brushed stainless steel)

More information

enquiries@titon.com / 01206 713801