

# Kenrick Standard Espag

## Espagnolette

Suitable for:

PVCu



ALUMINIUM



TIMBER



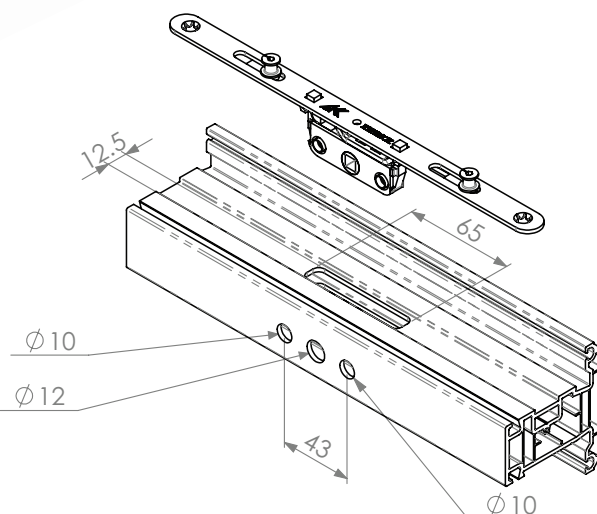
The Standard Espagnolette locking mechanism is designed to meet the requirements of the UK market – where peace of mind, performance, longevity and enhanced security are vital.



### Features and Benefits

- Adjustable mushroom cams
- Simple to install
- Available in 20mm and 22mm backset gearbox
- 62mm robust unhandled die-cast gearbox
- Profile related keeps with night vent facility
- 8mm and 10mm cam heights
- Bar sizes from 250mm to 1200mm
- Tested to 100,000 cycles
- 10 year mechanical guarantee
- Minimum of 240 hours salt spray testing - BSEN 1670:2007

Handle fixing and lockcase routing detail



## 20mm Backset

Product Code	Espag Size (mm)	Cam Height (mm)	No. of Fixing Points	No. of Mushroom Cams
KSES25020	250	8	2	2
KSES40020	400	8	4	2
KSES60020	600	8	6	2
KSES80020	800	8	6	2
KSES100020	1000	8	6	3
KSES120020	1200	8	8	4
KSES2502010U	250	10	2	2
KSES4002010U	400	10	4	2
KSES6002010U	600	10	6	2
KSES8002010U	800	10	6	2
KSES10002010U	1000	10	6	3
KSES12002010U	1200	10	8	4

## 22mm Backset

Product Code	Espag Size (mm)	Cam Height (mm)	No. of Fixing Points	No. of Mushroom Cams
KSES25022	250	8	2	2
KSES40022	400	8	4	2
KSES60022	600	8	6	2
KSES80022	800	8	6	2
KSES100022	1000	8	6	3
KSES120022	1200	8	8	4
KSES2502210U	250	10	2	2
KSES4002210U	400	10	4	2
KSES6002210U	600	10	6	2
KSES8002210U	800	10	6	2
KSES10002210U	1000	10	6	3
KSES12002210U	1200	10	8	4

### Size range

250 - 1200mm

### Manufactured from

Mild steel

### Finish

Zinc plate

### Performance

(Full test details available on request.)

Minimum of 240 hours salt spray testing - BSEN 1670:2007

### When ordering please specify:

1. Espagnolette type
2. Sash rebate
3. Backset size
4. Cam size
5. Profile name and number

### More information

enquiries@titon.co.uk / 01206 713801

