

Variglaze

Slim thermally improved glazed-in ventilator



Variglaze Ventilator (inside)



Variglaze Ventilator (outside)

Suitable for:

- VINYL
- ALUMINUM
- WOOD
- FIBERGLASS

Variglaze is a thermally improved glazed-in aluminum ventilator that provides a much healthier indoor air environment in the home and gives the home occupants greater comfort and control in doing so.

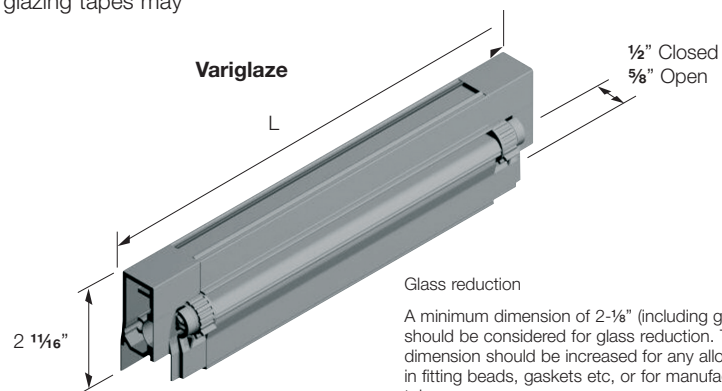
Slim size minimizes impact on window sight size. The Variglaze is available in made to measure sizes or in bar length in a variety of colors.



Features and Benefits

- Slim size minimizes impact on window sight size
- Made-to-measure minimum length 7", maximum length 59" (pre painted only)
- Bar length for cutting to size by customer (pre painted only)
- Suitable for 13/16", 7/8" 1" or 1 1/8" IG glass thicknesses
- Dual color (inner and outer) finish available
- Dual hardness flap gasket improves weather tightness
- Minimal projection for sliding windows and doors
- Thermally improved
- Retrofit or fitted cord control unit
- Patented design

Note – Special consideration is needed regarding the bead fitting method and sealing on wood windows. Standard glazing tapes may not be sufficiently flexible.



Manufactured from

Aluminum 6063 HIT T6, component parts PVCu, POM, PA6 & PP (UV Stable).

Performance

(Full test details available on request).

Free Area (in²) – approx 5 sq inches per foot of extrusion.

Water Resistance – in excess of 12.5 psf / 600Pa.

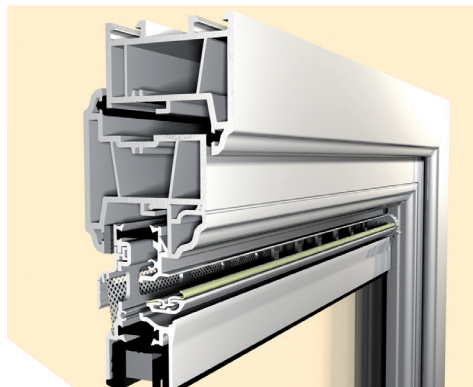
Acoustic STC – 20" long vent – open 33dB – closed 48dB.

Finishes

Suffix product code with: -020 (white with white canopy), -475 (white with black canopy). Other finishes available depending on quantity.

More information

titoninc@titon.com / 574 271 9699



Over glass